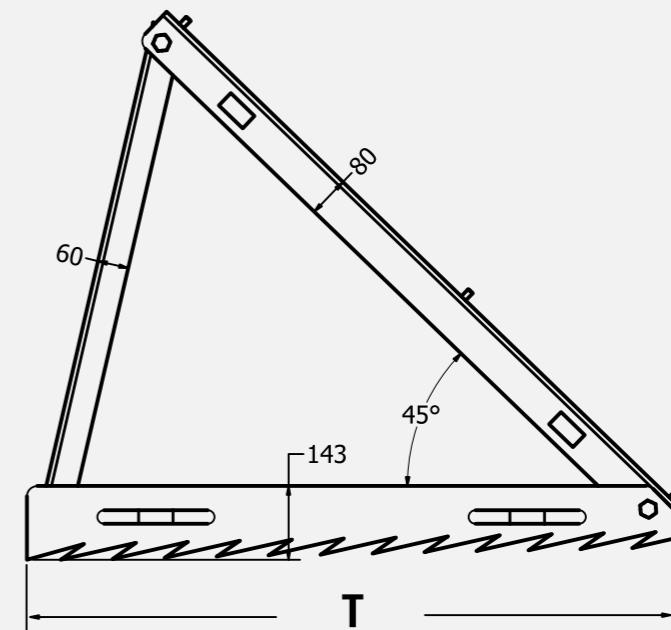
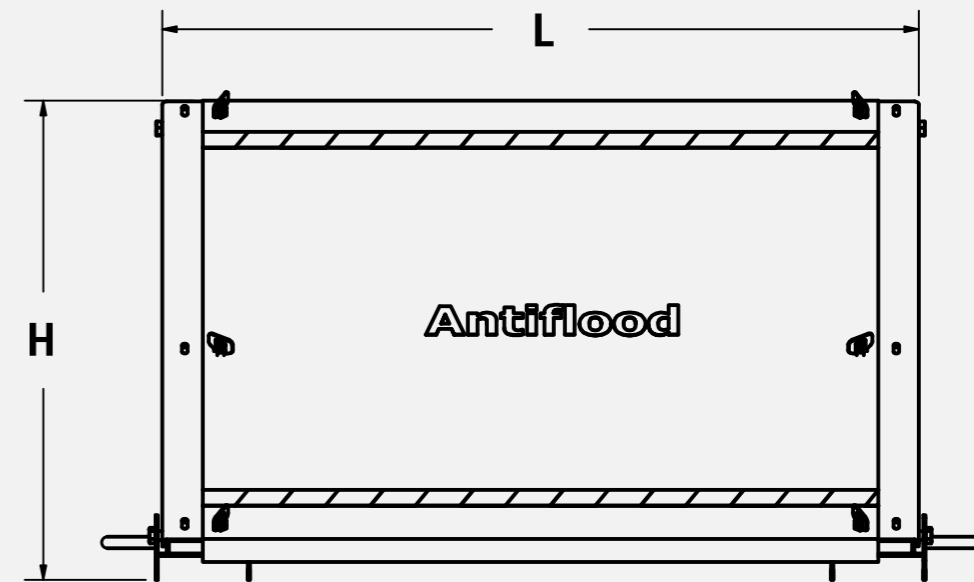




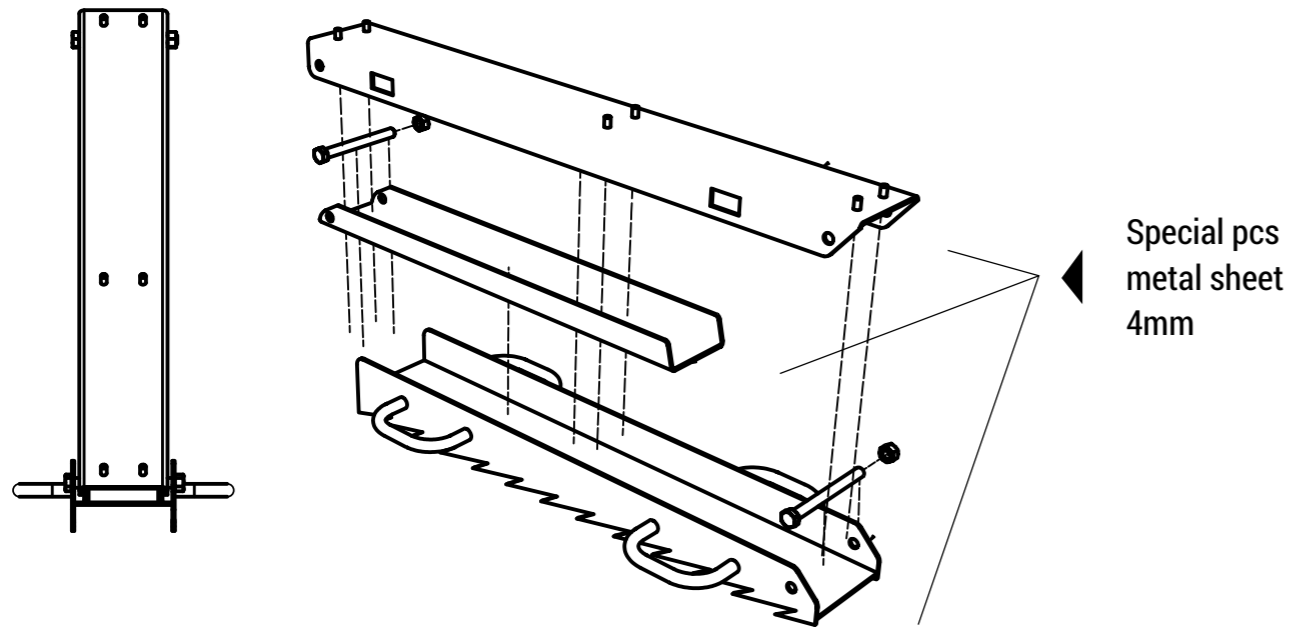
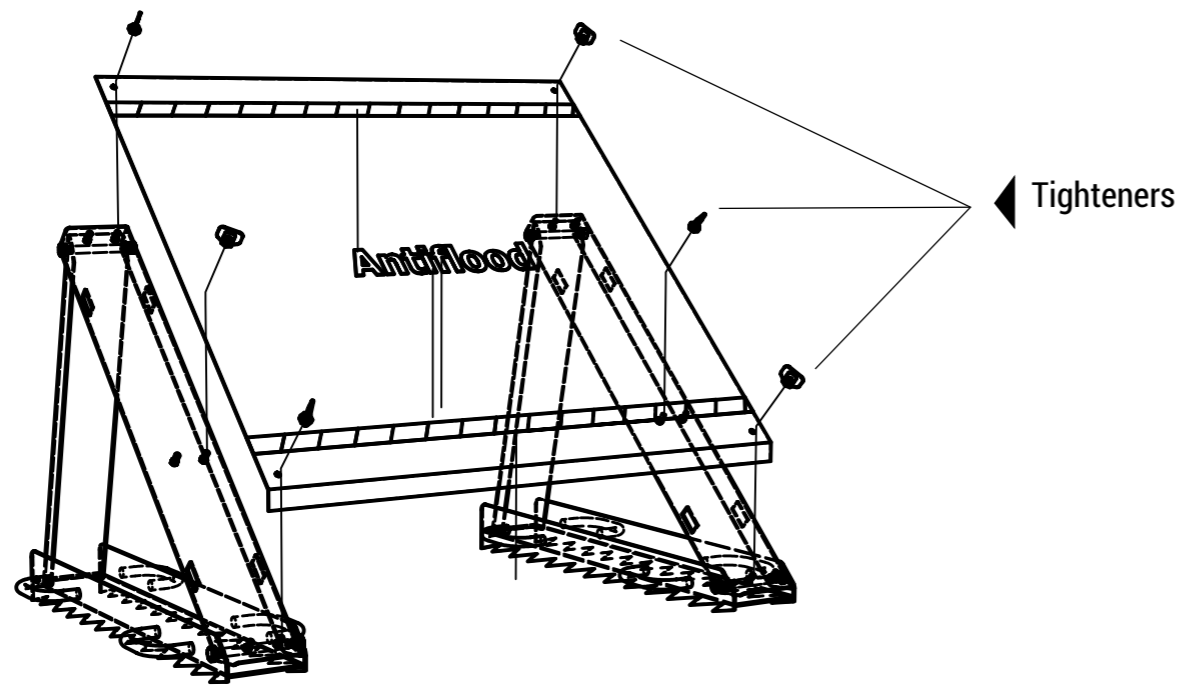
AntiFlood Quick Dam is a heavy duty, modular system, which has been designed by our company to divert flood water. It consists of two foldable stands, three horizontal spacers, a sheet metal cover and can be assembled without tools. The system is designed to occupy minimum storage space. An installation crew of three people can deploy 40 to 60 meters in an hour.

Provides protection for: civil protection, military units, rescue teams, regions, municipalities



DATASHEET
antiflood Quick dam










ANTI FLOOD S.A
 1st km Karditsa Trikala Ring Road P.K. 43100



Product Code: AAD 04

Dimensions	L	H	T
	1680	1060	1280

*dimensions in mm

Colors			
			
RAL7016	RAL6002	RAL1018	RAL1013