



**AF**  
**ANTI FLOOD S.A**

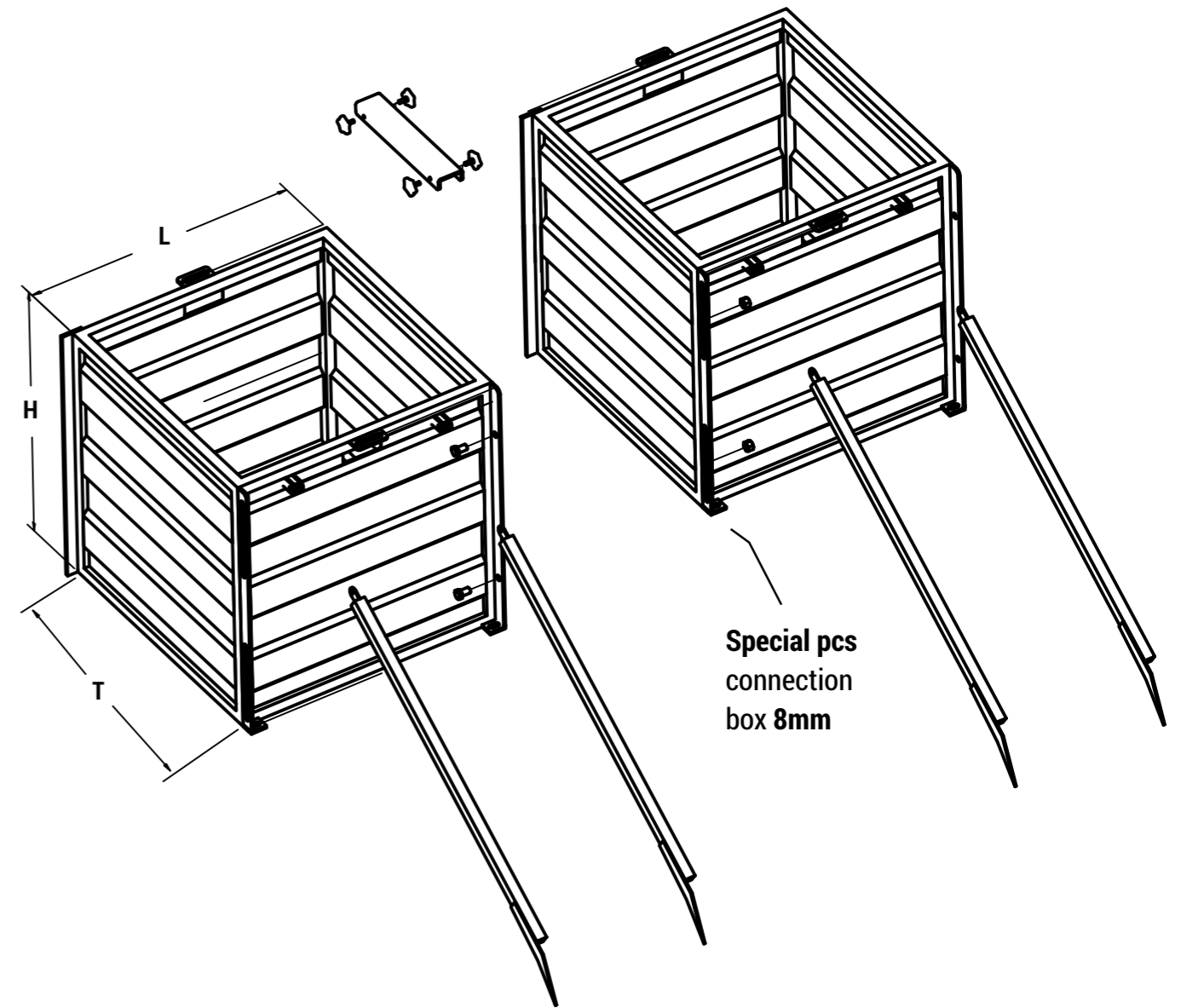
**DATASHEET**  
**antiflood box**



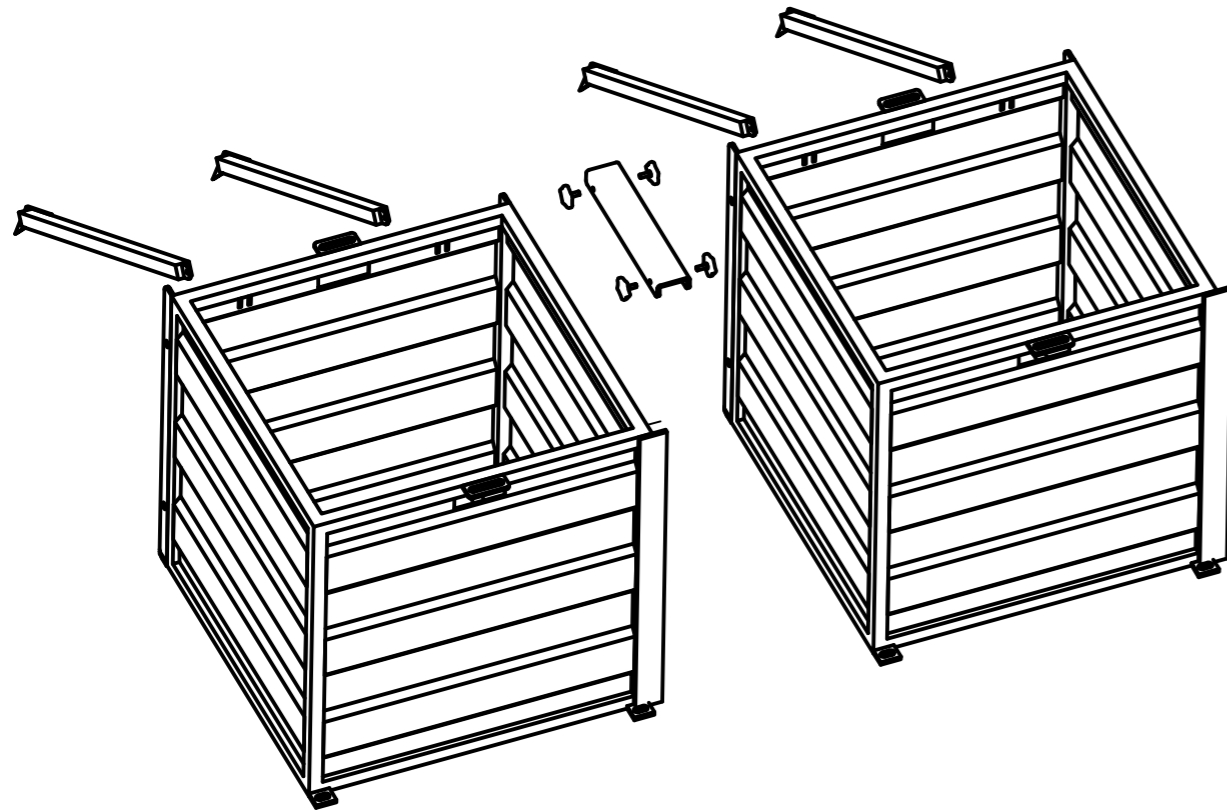
**AF**  
**ANTI FLOOD S.A**

The anti-flood box is a heavy duty system which has been designed by our company to protect against high water pressure.  
It can be used to create a barrier to stop or divert the flood water.  
It can be used as a mobile barrier or it can be fixed to the ground to become permanent.  
The boxes are made of 3mm thick sheet metal to resist the pressure.

**Provides protection for: industries, civil protection, military units, rescue teams, regions, municipalities**



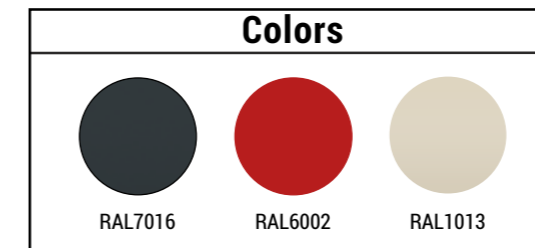




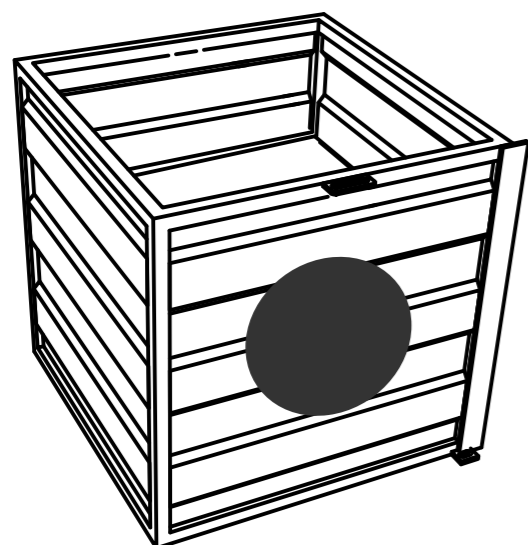
Product Code: AAD 06

Dimensions	L	T	H	W
	1000	1000	1000	500- 2.200kg

\*dimensions in mm



The boxes can be filled with concrete from 500 kg to 2.2 tons.  
 Alternatively sand can be used for easy use.  
 The boxes can be tied together length wise or vertically  
 if protection higher than one metre is required.  
 For water decompression we use the flood control box.  
 This enables us to control the flow of water at certain points  
 of the dam.



Flow control box



1st km Karditsa Trikala Ring Road P.K. 43100

